



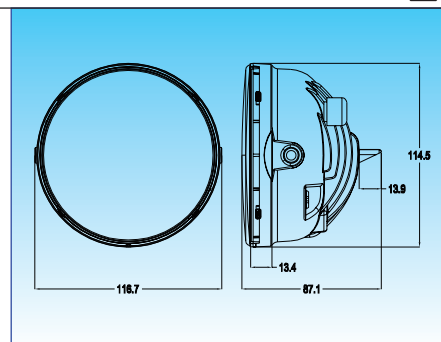
EL6093

LED Fog Light Projector Type

For *FD F150 07'~14'/EXPEDITION 07'~15'/Ranger 08'~11'*

OE No.: *AL1Z-15200-BCP/BL3Z-15200-ACP*

Aluminum housing with heat sink design
UV resistant lens & high impact material & waterproof design
Multi voltage for 12V & 24V
LED source: 3W x 3 pcs



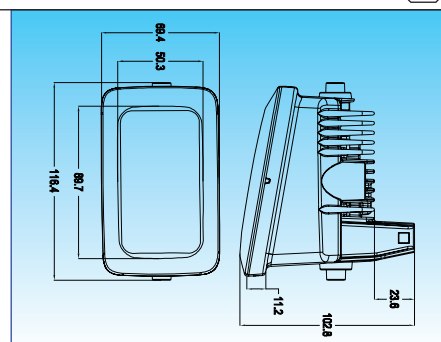
EL6095

LED Fog Light Projector Type

For *FD F150 15'*

OE No.: *R:FL3Z15200B L:FL3Z15201B*

Aluminum housing with heat sink design
UV resistant lens & high impact material & waterproof design
Multi voltage for 12V & 24V
LED source: 3W x 3 pcs



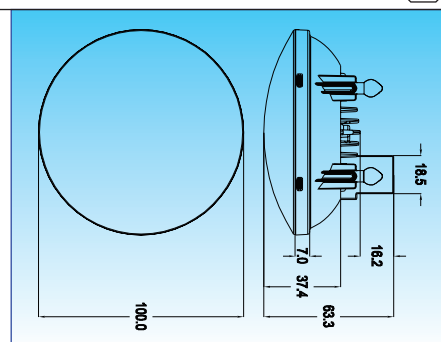
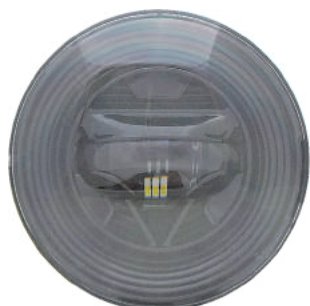
EL6096

LED Fog Light Projector Type

For *CH/FD/GM/PT* vehicles

OE No.: *7R3Z-15200-A/15839896/R:25866496 L:25866495*

Aluminum housing with heat sink design
UV resistant lens & high impact material & waterproof design
Multi voltage for 12V & 24V
LED source: 3W x 3 pcs



EL6098

LED Fog Light + Position Light

For *HD* vehicles

OE No.: *R:33900-SLE-J51/L:33950-SLE-J51*

Aluminum housing with heat sink design
UV resistant lens & high impact material & waterproof design
Multi voltage for 12V & 24V
LED source: 3W x 3 pcs

