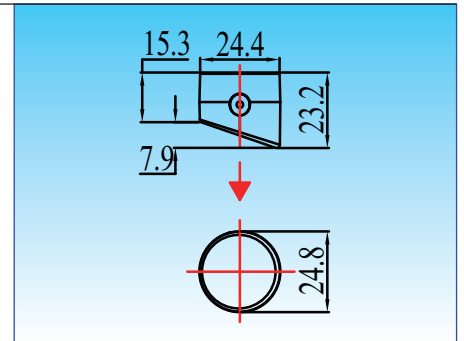




## EL6028-2

LED Daylight with position light

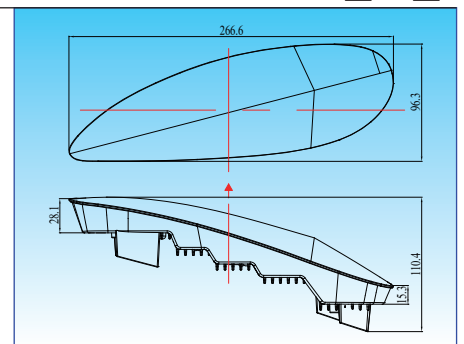
Aluminum housing with heat sink design  
 UV resistant lens & high impact material & waterproof design  
 Multi voltage for 12V & 24V  
 LED source: 1W x 5~7 pcs  
 Include Multi-Function driver



## EL6029

LED Daylight with position light

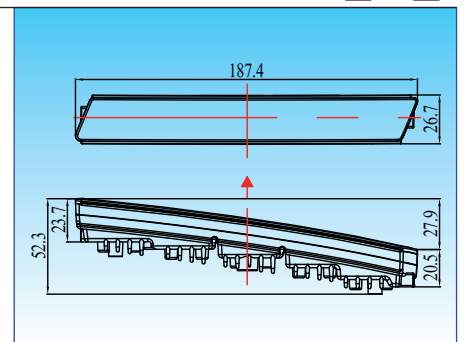
Aluminum housing with heat sink design  
 UV resistant lens & high impact material & waterproof design  
 Multi voltage for 12V & 24V  
 LED source: 1W x 5 pcs  
 Include Multi-Function driver



## EL6030

LED Daylight with position light

Aluminum housing with heat sink design  
 UV resistant lens & high impact material & waterproof design  
 Multi voltage for 12V & 24V  
 LED source: 1W x 5 pcs  
 Include Multi-Function driver



## EL6031

LED Daylight with position light

Aluminum housing with heat sink design  
 UV resistant lens & high impact material & waterproof design  
 Multi voltage for 12V & 24V  
 LED source: 1W x 5~7 pcs  
 Include Multi-Function driver

